



- Features :
- Universal AC input / Full range
 - Built-in active PFC function
 - Protections: Short circuit / Over current / Over voltage / Over temperature
 - Cooling by free air convection
 - OCV point adjustable through output cable or internal potentiometer
 - IP67 / IP65 design for indoor or outdoor installations
 - Suitable for LED lighting and moving sign applications
 - Compliance to worldwide safety regulations for lighting
 - Suitable for dry / damp / wet locations
 - 3 years warranty

SPECIFICATION

Dimension: 225 × 68 × 40mm

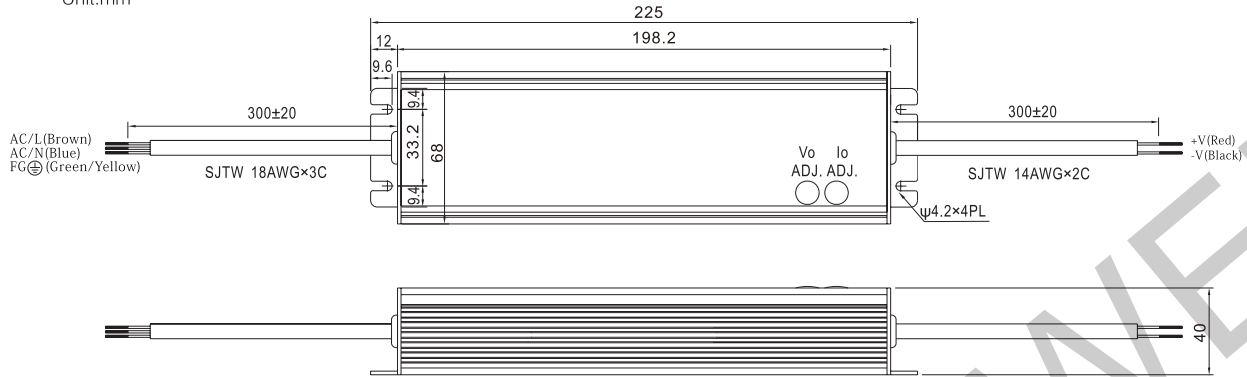


Model		HLG-200-12	HLG-200-20	HLG-200-24	HLG-200-30	HLG-200-36	HLG-200-42	HLG-200-48	HLG-150-54	
OUTPUT	DC VOLTAGE	12V	20V	24V	30V	36V	42V	48V	54V	
	CONSTANT CURRENT REGION	6~12V	10~20V	12~24V	15~30V	18~36V	21~42V	24~48V	27~54V	
	RATED CURRENT	14A	10A	8.4A	6.7A	5.6A	4.8A	4.2A	3.7A	
	RATED POWER	168W	200W	201.6W	201W	201.6W	201.6W	201.6W	199.8W	
	RIPPLE & NOISE (max.)	150mVp-p	150mVp-p	150mVp-p	200mVp-p	200mVp-p	200mVp-p	200mVp-p	200mVp-p	
	VOLTAGE ADJ. RANGE	10.8~13.5V	17~22V	22~27V	27~33V	33~40V	38~46V	43~53V	49~58V	
	CURRENT ADJ. RANGE	Can be adjusted by internal potentiometer or through output cable								
INPUT	VOLTAGE RANGE	90 ~ 264VAC 47 ~ 63Hz, 127 ~ 370VDC								
	AC CURRENT (Typ.)	2.2A/115VAC 1.1A/230VAC								
	POWER FACTOR (Typ.)	PF > 0.95/230VAC PF > 0.98/115VAC(at full load)								
	EFFICIENCY (Typ.)	92%	93%	94%	94%	94%	94%	94%	94%	
	INRUSH CURRENT (Typ.)	COLD START 75A/230VAC								
	LEAKAGE CURRENT	0.75mA/240VAC								
PROTECTION	OVER CURRENT	95~108%								
	SHORT CIRCUIT	Protection type : Constant current limiting, recovers automatical ly after fault condition is removed								
	OVER VOLTAGE	14~17V	23~27V	28~34V	34~38V	41~46V	47~53V	54~60V	59~65V	
	OVER TEMPERATURE	100°C ± 10°C(RTH2)								
ENVIRONMENT	WORKING TEMP.	-30°C ~ +60°C;20% ~ 90%RH(Please refer to "derating curve")								
	STORAGE TEMP., HUMIDITY	-40°C ~ +80°C;10% ~ 95%RH Non-condensing								
	VIBRATION	10 ~ 500Hz, 2G 10min./1Cycle, Period for 60min, Each axes								
SAFETY & EMC	SAFETY STANDARD	UI1310 Class2, TUV EN61347-1,EN61347-2-13,CAN/CSA C22.2 NO.223-M91(exceptfor 48V) , IP65 approved								
	WITHSTAND VOLTAGE	I/P-O/P: 3KVAC, I/P-FG: 1.5KVAC, O/P-FG: 0.5KVAC								
	ISOLATION RESISTANCE	I/P-O/P: 100M Ohms/500VDC								
	EMC EMISSION	Compliance to EN55015, EN61000-3-2 Class C (≥ 60% load) ; EN61000-3-3								
OTHERS	EMC IMMUNITY	Compliance to EN61000-4-2,3,4,5,6,8,11; EN61547, EN55024, light industry level (surge 4KV), criteria A								
	DIMENSION	225*68*40mm (L*W*H)								
	PACKING	1.3kg/20pcs/27kg/1.15CUFT								

- NOTE
- All parameters NOT specially mentioned are measured at 230VAC input, rated load and 25°C of ambient temperature.
 - Ripple & noise are measured at 20MHz of bandwidth by using a 12" twisted pair-wire terminated with a 0.1uf & 47uf parallel capacitor.
 - Tolerance : includes set up tolerance, line regulation and load regulation.
 - Constant current operation region is within 60% ~ 100% rated output voltage. This is the suitable operation region for LED related applications, but please reconfirm special electrical requirements for some specific system design.
 - Derating may be needed under low input voltages. Please check the static characteristics for more details.
 - Safety and EMC design refer to EN60598-1, CNS15233, GB7000.1, FCC part18.
 - Length of set up time is measured at cold first start. Turning ON/OFF the power supply may lead to increase of the set up time.

Mechanical specification

Unit:mm

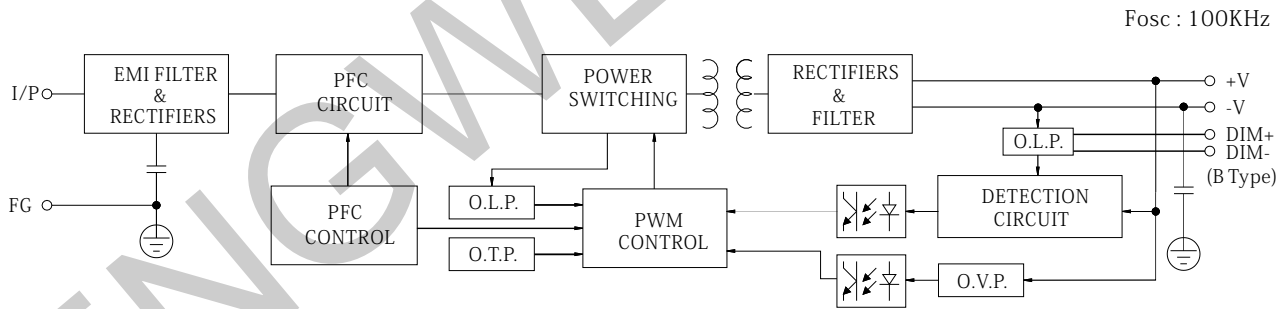


※ IP65 rated. Output voltage and constant current level can be adjusted through internal potentiometer.
(Can access by removing the rubber stopper on the case.)

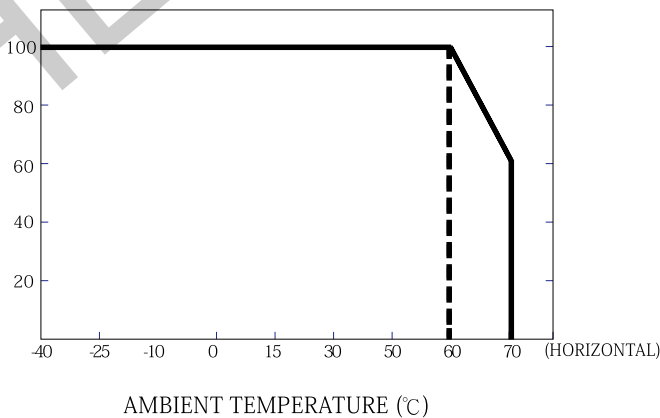
lead-out wire assignment

Input(Black three-core)		Output (Black two-core)	
Brown	AC/L	Red	DC OUTPUT +V
Blue	AC/N	Black	DC OUTPUT -V
Yellow-green	FG		

Block diagram



Derating curve



Static characteristic

