



- Features :
- Universal AC input / Full range
 - Built-in active PFC function
 - Protections: Short circuit / Over current / Over voltage / Over temperature
 - Cooling by free air convection
 - OCP point adjustable through output cable or internal potentiometer
 - IP67 / IP65 design for indoor or outdoor installations
 - Suitable for LED lighting and moving sign applications
 - Compliance to worldwide safety regulations for lighting
 - Suitable for dry / damp / wet locations
 - 3 years warranty

Dimension: 225*68*40mm

SPECIFICATION

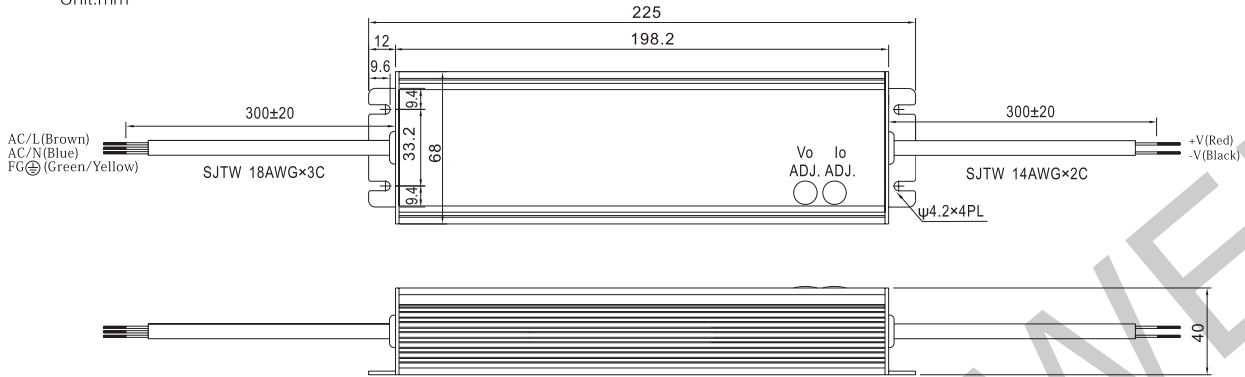


Model		HLG-240-20	HLG-240-24	HLG-240-30	HLG-240-36	HLG-240-42	HLG-240-48	HLG-240-54	
OUTPUT	DC VOLTAGE	20V	24V	30V	36V	42V	48V	54V	
	CONSTANT CURRENT REGION	10~20V	12~24V	15~30V	18~36V	21~42V	24~48V	27~54V	
	RATED CURRENT	12A	10A	8A	6.7A	5.72A	4.8A	4.45A	
	RATED POWER	240W	240W	240W	241.2W	240.2W	230.4W	240.3W	
	RIPPLE & NOISE (max.)	150mVp-p	150mVp-p	200mVp-p	250mVp-p	250mVp-p	250mVp-p	350mVp-p	
	VOLTAGE ADJ. RANGE	18.6~21.4V	22.4~25.6V	28~32V	33.5~38.5V	39~45V	44.8~51.2V	50~57V	
	CURRENT ADJ. RANGE	Can be adjusted by internal potentiometer or through output cable							
		6~12A	5~10A	4~8A	3.3~6.7A	2.86~5.72A	2.5~4.8A	2.23~4.45A	
INPUT	VOLTAGE RANGE	90 ~ 264 VAC 47 ~ 63Hz, 127 ~ 370VDC							
	AC CURRENT (Typ.)	4A/115VAC 2A/230VAC							
	POWER FACTOR (Typ.)	PF > 0.95/230VAC PF > 0.98/115VAC(at full load)							
	EFFICIENCY (Typ.)	92%	93%	93%	93.5%	94%	94%	94%	
	INRUSH CURRENT (Typ.)	COLD START 75A/230VAC							
	LEAKAGE CURRENT	0.75mA/240VAC							
PROTECTION	OVER CURRENT	95~108%							
	SHORT CIRCUIT	Protection type : Constant current limiting, recovers automatical ly after fault condition is removed							
	OVER VOLTAGE	22 ~ 26V	26 ~ 33V	32.5 ~ 36.5V	40 ~ 48V	46 ~ 50V	53 ~ 62V	59 ~ 65V	
		Protection type : Shut down o/p voltage, re-power on to recover							
	OVER TEMPERATURE	105°C ± 10°C(RTH2)							
ENVIRONMENT	WORKING TEMP.	-40°C ~ +70°C;20% ~ 90%RH(Please refer to "derating curve")							
	STORAGE TEMP., HUMIDITY	-40°C ~ +80°C;10% ~ 95%RH Non-condensing							
	VIBRATION	10 ~ 500Hz, 2G 10min./1Cycle, Period for 60min, Each axes							
	SAFETY STANDARD	UI1310 Class2, TUV EN61347-1,EN61347-2-13,CAN/CSA C22.2 NO.223-M91(exceptfor 48V) , IP65 approved							
SAFETY & EMC	WITHSTAND VOLTAGE	I/P-O/P: 3.75KVAC, I/P-FG: 1.5KVAC, O/P-FG: 0.5KVAC							
	ISOLATION RESISTANCE	I/P-O/P: 100M Ohms/500VDC							
	EMC EMISSION	Compliance to EN55015, EN61000-3-2 Class C (≥ 60% load) ; EN61000-3-3							
OTHERS	EMC IMMUNITY	Compliance to EN61000-4-2,3,4,5,6,8,11; EN61547, EN55024, light industry level (surge 4KV), criteria A							
	DIMENSION	225*68*40 (L*W*H)							
	PACKING	1.15kg/12pcs/14.8kg/0.021m³							

- NOTE
- All parameters NOT specially mentioned are measured at 230VAC input, rated load and 25°C of ambient temperature.
 - Ripple & noise are measured at 20MHz of bandwidth by using a 12" twisted pair-wire terminated with a 0.1uf & 47uf parallel capacitor.
 - Tolerance : includes set up tolerance, line regulation and load regulation.
 - Constant current operation region is within 60% ~ 100% rated output voltage. This is the suitable operation region for LED related applications, but please reconfirm special electrical requirements for some specific system design.
 - Derating may be needed under low input voltages. Please check the static characteristics for more details.
 - Safety and EMC design refer to EN60598-1, CNS15233, GB7000.1, FCC part18.
 - Length of set up time is measured at cold first start. Turning ON/OFF the power supply may lead to increase of the set up time.

Mechanical specification

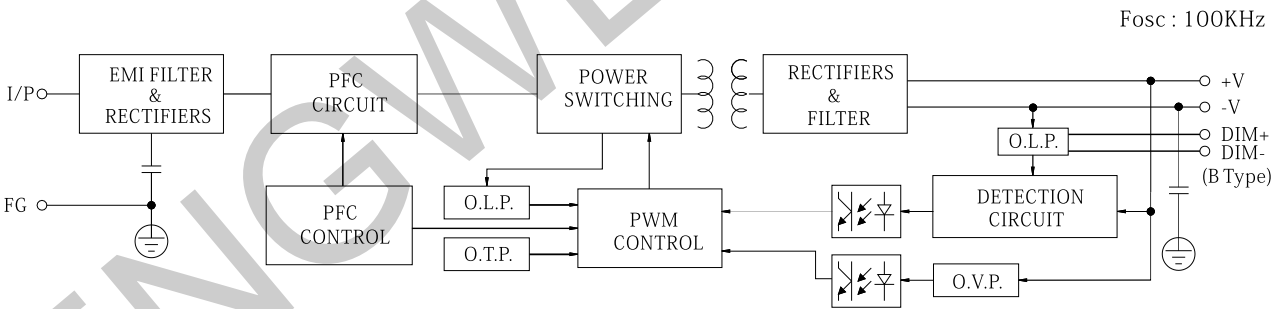
Unit:mm



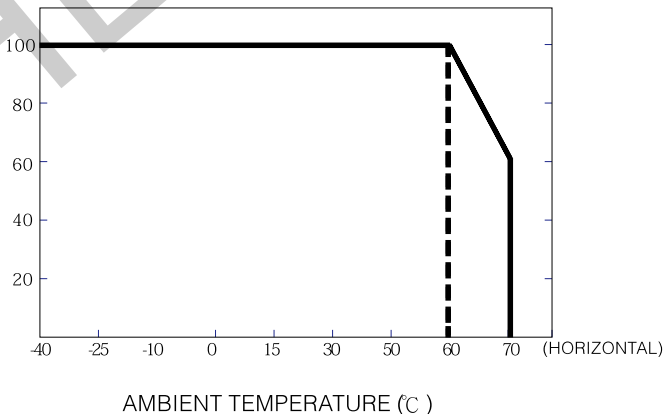
※ IP65 rated. Output voltage and constant current level can be adjusted through internal potentiometer.
(Can access by removing the rubber stopper on the case.)

lead-out wire assignment

Input(Black three-core)		Output (Black two-core)	
Brown	AC/L	Red	DC OUTPUT +V
Blue	AC/N	Black	DC OUTPUT -V
Yellow/green	FG		



Derating curve



Static characteristic

