



### Features:

- Constant voltage design
- Universal AC input range/withstand 300VAC surge input for 5 seconds
- Fully encapsulated with IP67 level, Fully isolated plastic case, laser labeling
- Protections: short circuit, over load, over voltage
- Cooling by free air convection
- Class II power unit, no FG; Class 2 power unit
- Passed LPS (Limited Power Source) Test
- 100% full load burn-in test
- Suitable for LED lighting and moving sign applications
- High reliability/Low cost
- 3 Years warranty

### SPECIFICATION

Dimension: 118 × 35 × 26mm



	Model	LPV-20E-5	LPV-20E-12	LPV-20E-15	LPV-20E-24
Output	DC voltage	5V	12V	15V	24V
	Rated current	3A	1.67A	1.33A	0.84A
	Current range	0 ~ 3A	0 ~ 1.67A	0 ~ 1.33A	0 ~ 0.84A
	Rated power	15W	20W	20W	20.2W
	Ripple&noise	80mVp-p	120mVp-p	120mVp-p	150mVp-p
	Voltage tolerance	± 5.0%			
	Line regulation	± 1.0%			
	Load regulation	± 2.0%			
	Setup, rise time	500ms, 30ms/230VAC 500ms, 20ms/115VAC at full load			
	Hold up time	50ms/230VAC 16ms/115VAC at full load			
Input	Voltage range	90~264VAC 127~370VDC			
	Efficiency	77%	81%	83%	83%
	Frequency range	47~63Hz			
	AC current	0.55A/115VAC 0.35A/230VAC			
	Inrush current	Cold start 70A/230VAC (twidth=215 μs measured at 50% Ipeak)			
Leakage current	< 0.25mA/240VAC				
Protection	Overload	110~150% rated output power Start overload protection Protection type: hiccup mode, auto-recovery after fault condition is removed			
	Over voltage	5.76~6.75V	13.8~16V	17.5~21V	28~32V
Environment	Protection type: shut off output voltage, clamping by zener diode				
	Working temperature	-30°C ~ +70°C (Please refer to "derating curve" )			
	Working humidity	20%~90%RH Non-condensing			
	Storage temp, humidity	-40°C ~ +80°C; 10%~95%RH			
	Temp. coefficient	± 0.03%/°C ( 0~50°C )			
Safety& EMC	Vibration	10 ~ 500Hz, 2G 10min./1Cycle, Period for 60min, Each axes			
	Safety standards	UL879, UL1310, CSA C22.2 NO.207-M89, CAN/CSA C22.2 NO.223-M91, IP67 approved; design refer to TUV EN 60950-1			
	Withstand voltage	I/P-O/P: 3KVAC			
	Isolation resistance	I/P-O/P: 100M Ohms/500VDC/25°C/70%RH			
	EMC emission	Compliance to EN55022(CISPR22) Class B, EN61000-3-2 Class A, EN61000-3-3			
Others	EMC immunity	Compliance to EN61000-4-2, 3, 4, 5, 6, 8, 11, EN55024, light industry level, criteria A			
	MTBF	680K hrs min. MIL-HDBK-217F(25°C)			
	Dimension	118*35*26 mm ( L*W*H )			
	Packing	0.2kg/60pcs/12kgs/0.022m³/0.77CUFT			

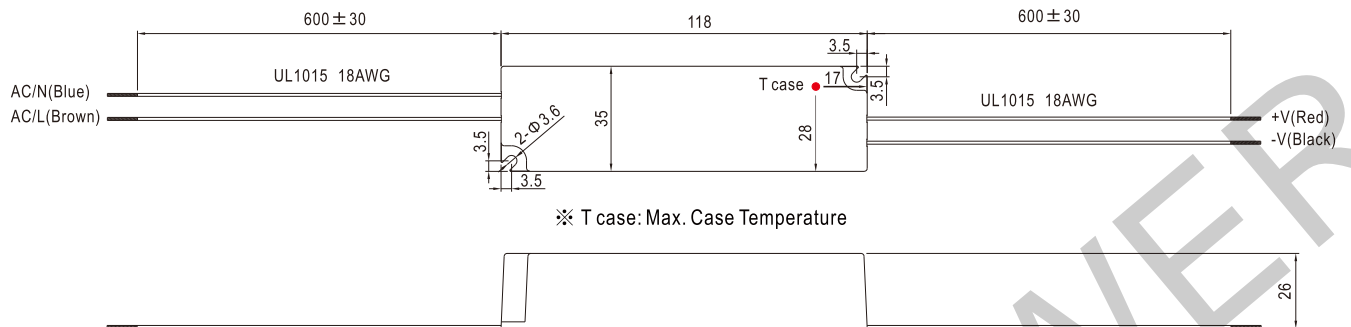
Note: 1. All parameters NOT specially mentioned are measured at 230VAC input, rated load and 25°C of ambient temperature.  
 2. Ripple & noise are measured at 20MHz of bandwidth by using a 12" twisted pair-wire terminated with a 0.1uf & 47uf parallel capacitor.  
 3. Tolerance : includes set up tolerance, line regulation and load regulation.  
 4. The power supply is considered as a component that will be operated in combination with final equipment. Since EMC performance will be affected by the complete installation, the final equipment manufacturers must re-qualify EMC Directive on the complete installation again.  
 5. Suitable for indoor use or outdoor use without direct sunlight exposure.  
 6. Derating may be needed under low input voltage. Please check the static characteristics for more details  
 7. Length of set up time is measured at first cold start. Turning ON/OFF the power supply may lead to increase of the set up time

Mechanical specification

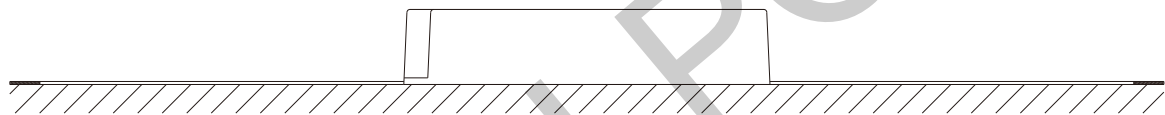
Unit:mm

lead-out wire assignment

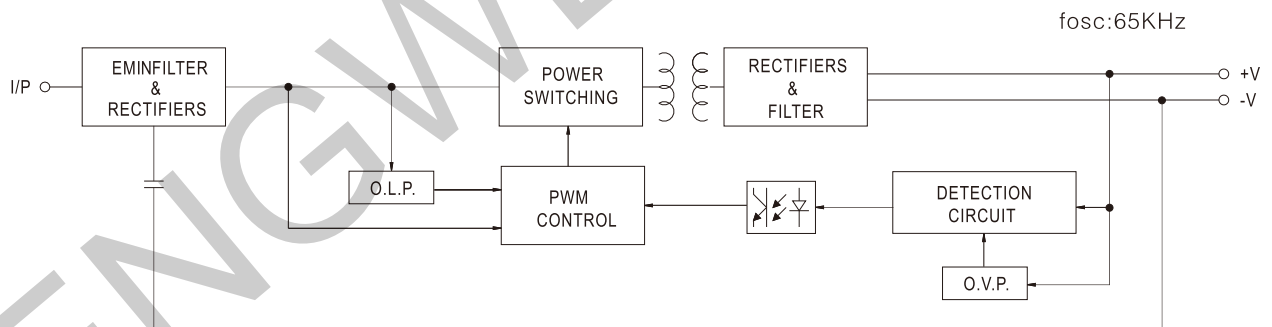
Input		Output	
Blue	AC/N	Red	DC OUTPUT +V
Brown	AC/L	Black	DC OUTPUT -V



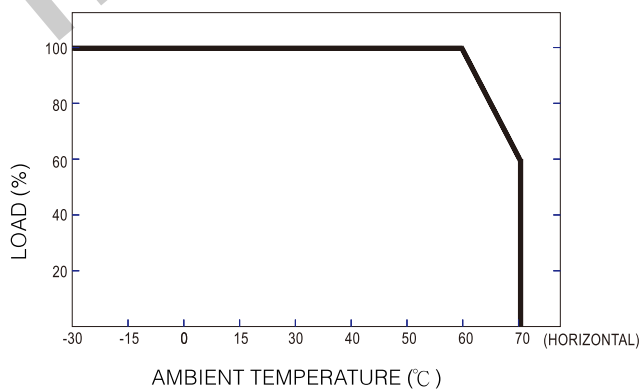
Recommend Mounting Direction



Block diagram



Derating curve



Static characteristic

