



Dimension: 190 × 49 × 34mm

Features:

- Constant voltage style power supply
- Universal AC input / Full range
- Small volume, low weight, high efficiency
- Protections : short circuit/over load/over temp
- Cooling by free air convection
- Fully encapsulated with IP67 level
- 100% full load burn-in test
- 2 Years warranty

IP67 CE

SPECIFICATION

Model		LPV-60-12	LPV-60-24	LPV-60-36
Output	DC voltage	12V	24V	36V
	Voltage tolerance	± 3%	± 2%	± 2%
	Rated current	5A	2.5A	1.7A
	Current range	0 ~ 5A	0 ~ 2.5A	0 ~ 1.7A
	Rated power	60W	60W	61.2W
	Ripple&noise	100mVp-p	150mVp-p	180mVp-p
	Setup, rise, hold up time	500ms,20ms,24ms/230VAC.800ms,30ms,20ms/115VAC		
Input	Voltage range	90 ~ 264VAC 47 ~ 63Hz, 126 ~ 373VDC		
	AC current	1.4A/115VAC 0.7A/230VAC		
	Efficiency	82%	84%	85%
	Inrush current	Cold start35A/230VAC		
	leakage current	< 2mA/240VAC		
Protection	Overload	Rated output power115% ~ 135%Start overload protection Protection type: hiccup mode, auto-recovery after fault condition is removed		
	Over temperature	Case temp ≥ 85°C ± 5°C, Start over temp protection		
		Protection mode: cutoff output, auto-recovery after temperature become normal		
Environment	Working temp, humidity	-10°C ~ +60°C;20% ~ 90%RH(Please refer to "derating curve")		
	Storage temp, humidity	-20°C ~ +85°C;10% ~ 95%RH Non-condensing		
	Withstand vibration	10 ~ 500Hz, 2G 10min./1Cycle, Period for 60min, Each axes		
Safety	Withstand voltage	I/P-O/P: 1.5KVAC,I/P-FG:1.5KVAC,O/P-FG:0.5KVAC		
	Isolation resistance	I/P-O/P,I/P-FG,O/P-FG: 100M Ohms/500VDC		
Fit standard	Safety standard, Protection level	Fit UL1012,TUV EN 60950-1, Ip67		
	EMC Standard	Fit EN55022, EN55024,CLASSA		
Others	Weight/Dimension	0.55kg 190*49*34 (L*W*H)		
	Packing	0.55kg/30pcs/16.5kg/0.025m³/0.88CUFT		

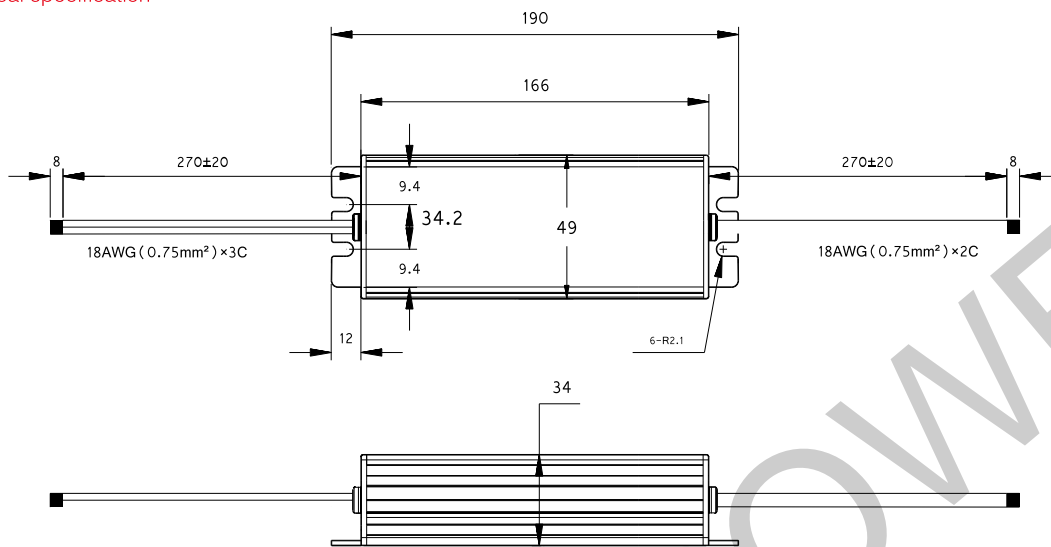
Note: 1. All parameters NOT specially mentioned are measured at 230VAC input, rated load and 25°C of ambient temperature.

2. Ripple & noise are measured at 20MHz of bandwidth by using a 12" twisted pair-wire terminated with a 0.1uf & 47uf parallel capacitor.

3. Tolerance : includes set up tolerance, line regulation and load regulation.

Mechanical specification

Unit:mm

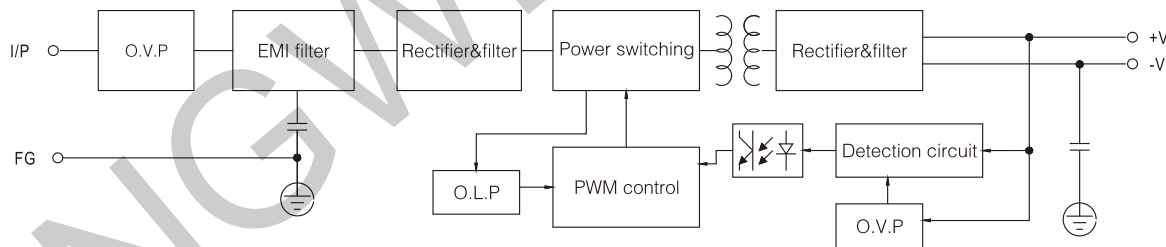


lead-out wire assignment

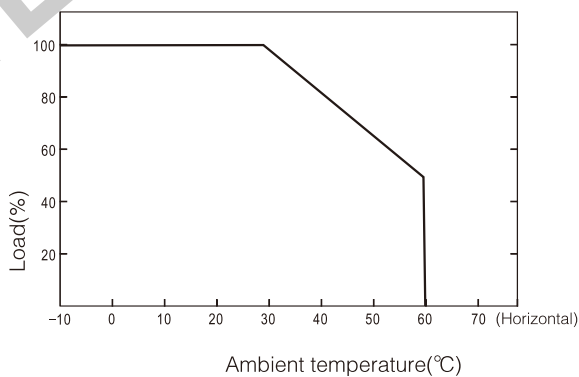
Input(Black three-core)		Output (White two-core)	
Brown	AC/L	Red	DC OUTPUT +V
Blue	AC/N	Black	DC OUTPUT -V
Yellow-green	FG \perp	Shell connect with earth	

Block diagram

Frequency: 60KHz



Derating curve



Static characteristic

