

Dimension: 129 × 98 × 38mm

**Features:**

- AC input range selected by switch
- Small volume, low weight, high efficiency
- Protections : short circuit/over load/over voltage
- Cooling by free air convection
- LED indicator for power on
- 100% full load burn-in test
- No load consumption < 0.8W
- 2 Years warranty



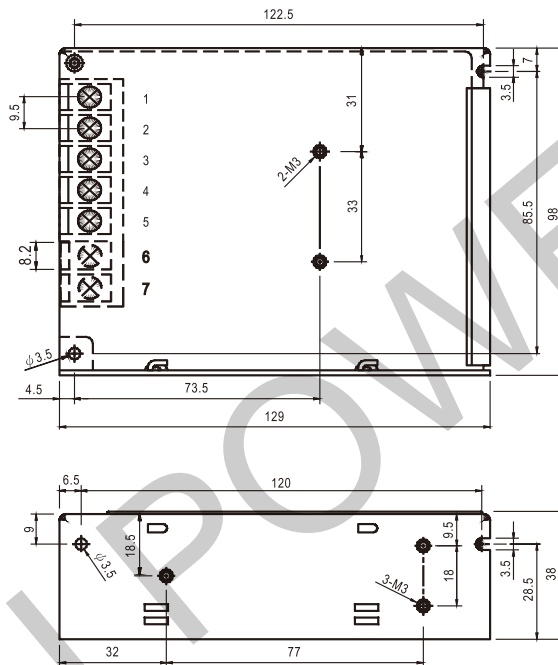
**SPECIFICATION**

Model		MS-150-12	MS-150-24
Output	DC voltage	12V	24V
	Voltage tolerance	± 2%	± 2%
	Rated current	12.5A	6.3A
	Current range	0 ~ 12.5A	0 ~ 6.3A
	Rated power	150W	151.2W
	Ripple&noise	180mVp-p	200mVp-p
	DC voltage ADJ. range	± 10%	± 10%
Setup, rise, hold up time		800ms,30ms,24ms/230VAC	
Input	Voltage range	90 ~ 130VAC/180~264VAC(selected by switch) 47 ~ 63Hz, 255 ~ 373VDC	
	AC current	3.2A/115VAC	1.6/230VAC
	Efficiency	86%	87%
	Inrush current	Cold start 55A/230VAC	
	leakage current	< 2.0mA/240VAC	
Protection	Overload	Rated output power 110% ~ 135% Start overload protection Protection type: hiccup mode, auto-recovery after fault condition is removed	
	Over voltage	16.2~18.8V	30.8~33.8V
		Protection type: hiccup mode, auto-recovery after fault condition is removed	
Environment	Working temp, humidity	-10°C ~ +50°C; 20% ~ 90%RH (Please refer to "derating curve" )	
	Storage temp, humidity	-25°C ~ +85°C; 10% ~ 95%RH Non-condensing	
	Withstand vibration	10 ~ 500Hz, 2G 10min./1Cycle, Period for 60min, Each axes	
Safety	Withstand voltage	I/P-O/P: 1.5KVAC I/P-FG: 1.5KVAC O/P-FG: 0.5KVAC	
	Isolation resistance	I/P-O/P: I/P-FG,O/P-FG: 100M Ohms/500VDC	
Fit standard	Safety standard	Compliance to UL1012, UL60950-1, GB4943	
	EMC Standard	Compliance to EN55022, EN61000-3-2, CLASS A	
Others	Dimension	129*98*38 ( L*W*H )	
	Weight	0.45kg/45pcs/21kg/0.034m³/1.2CUFT	
	MTBF	410K hrs min. MIL-HDBK-217F(25°C)	

Note: 1. All parameters NOT specially mentioned are measured at 230VAC input, rated load and 25°C of ambient temperature.  
 2. Ripple & noise are measured at 20MHz of bandwidth by using a 12" twisted pair-wire terminated with a 0.1uf & 47uf parallel capacitor.  
 3. Tolerance : includes set up tolerance, line regulation & load regulation.

Mechanical specification

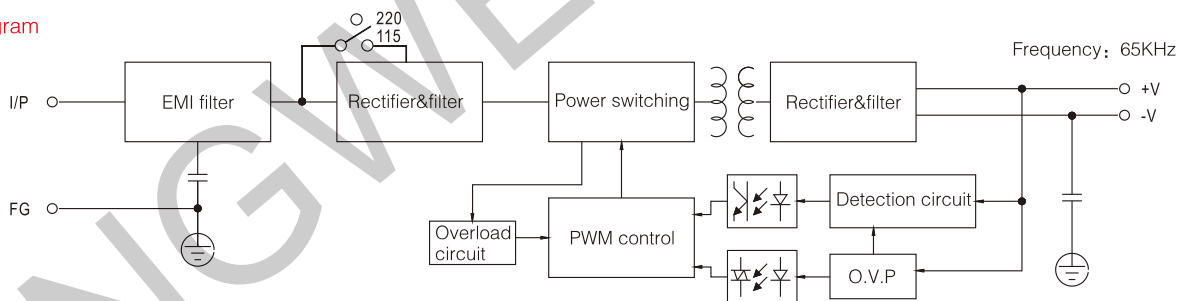
Unit:mm



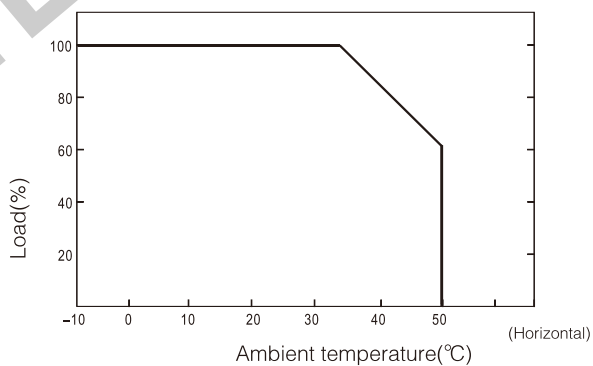
Terminal Pin No.Assignment

Pin No.	Assignment	Pin No.	Assignment
1	AC/L	4	DC OUTPUT -V
2	AC/N	5	DC OUTPUT +V
3	FG $\perp$		

Block diagram



Derating curve



Static characteristic

