



Dimension 84× 58× 30mm

Features

- Universal AC input range
- Small volume, low weight, high efficiency
- Protections : short circuit/over load
- Cooling by free air convection
- LED indicator for power on
- 100% full load burn-in test
- 2 Years warranty



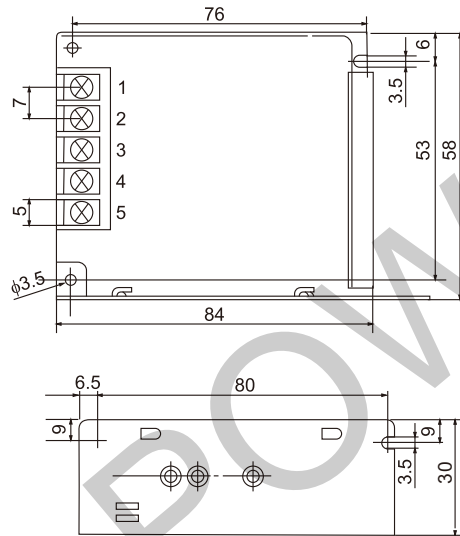
SPECIFICATION

Model		MS- 25- 12	MS- 25- 15	MS- 25- 24
Output	DC voltage	12V	15V	24V
	Voltage tolerance	± 1%	± 1%	± 1%
	Rated current	2.1A	1.7A	1.1A
	Current range	0 2.1A	0 1.7A	0 1.1A
	Rated power	24W	25.5W	26.4W
	Ripple&noise	100mVp- p	120mVp- p	150mVp- p
	DC voltage ADJ. range	- 9% +10%	± 10%	± 10%
Setup rise hold up time		200ms,50ms,20ms/230VAC		
Input	Voltage range	90 264VAC 47 63Hz 135 373VDC		
	AC current	0.55A/115VAC 0.35/230VAC		
	Efficiency	81%	82%	83%
	Inrush current	Cold start30A/230VAC		
	leakage current	0.5mA/240VAC		
Protection	Overload	Rated output power110% 135%Start overload protection		
		Protection type part layer type current limit auto- recovery after fault condition is removed		
Environment	Working temp humidity	- 10 +60 ;20% 90%RH(Please refer to" derating curve")		
	Storage temp humidity	- 20 +85 ;10% 95%RH Non- condensing		
	Withstand vibration	10 500Hz 2G 10min./1Cycle Period for 60min Each axes		
Safety	Withstand voltage	I/P- O/P 1.5KVAC I/P- FG 1.5KVAC O/P- FG 0.5KVAC		
	Isolation resistance	I/P- O/P I/P- FG,O/P- FG 100M Ohms/500VDC		
Fit standard	Safety standard	FitUL1012		
	EMC Standard	FitEN55022 CLASSA		
Others	Dimension	0.15kg 84*58*30 L*W*H		
	Weight	0.15kg/80pcs/13kg/0.87CUFT		
	MTBF	405K hrs min. MIL- HDBK- 217F(25)		

- Note: 1. All parameters NOT specially mentioned are measured at 230VAC input, rated load and 25 of ambient temperature.
 2. Ripple & noise are measured at 20MHz of bandwidth by using a 12" twisted pair- wire terminated with a 0.1uf & 47uf parallel capacitor.
 3. Tolerance : includes set up tolerance, line regulation and load regulation.

Mechanical specification

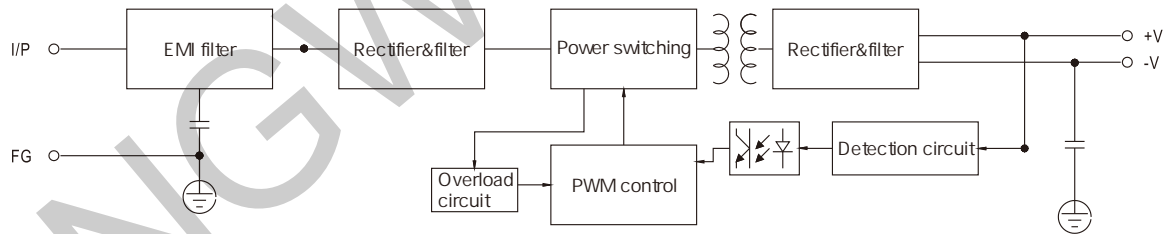
Unit:mm



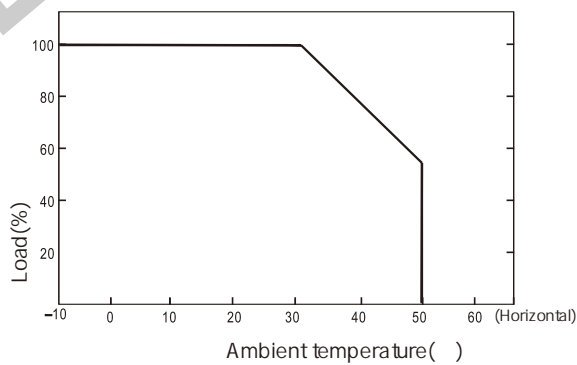
Terminal Pin No.Assignment

Pin No.	Assignment	Pin No.	Assignment
1	AC/L	4	DC OUTPUT -V
2	AC/N	5	DC OUTPUT +V
3	FG \perp		

Block diagram



Derating curve



Static characteristic

